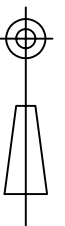
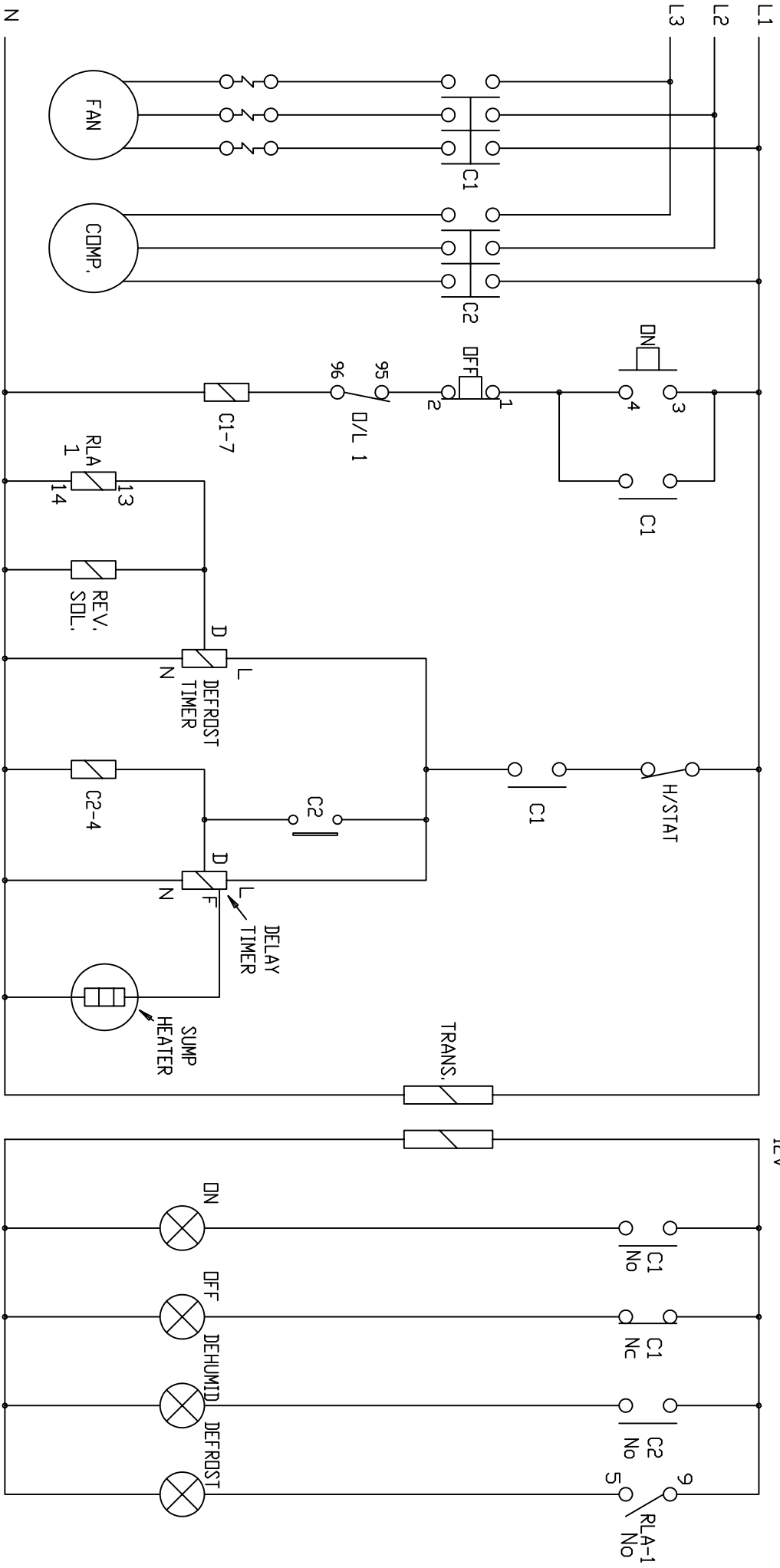


3RD ANGLE PROJECTION



DRG. NO. 5020103



DRAWN P.D. THOMPSON	ISS.	1	2	3	FINISH	TOLERANCE UNLESS STATED DIMENSIONS IN m.m.	TITLE SCHEMATIC WIRING DIAGRAM FOR CD425 WITH INTERNAL CONTROLS	SECURITY CLASSIFICATION	
	CHECKED	DATE	14-05-87	17-06-87					22-9-87
	APPROVED	C/N		CS					S.T.H.
INSPECTION PROCEDURE	MATERIAL								
SCALE N.T.S.									

**Ekac Limited**

DRG. NO.

5020103

A 3