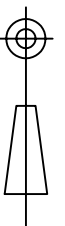
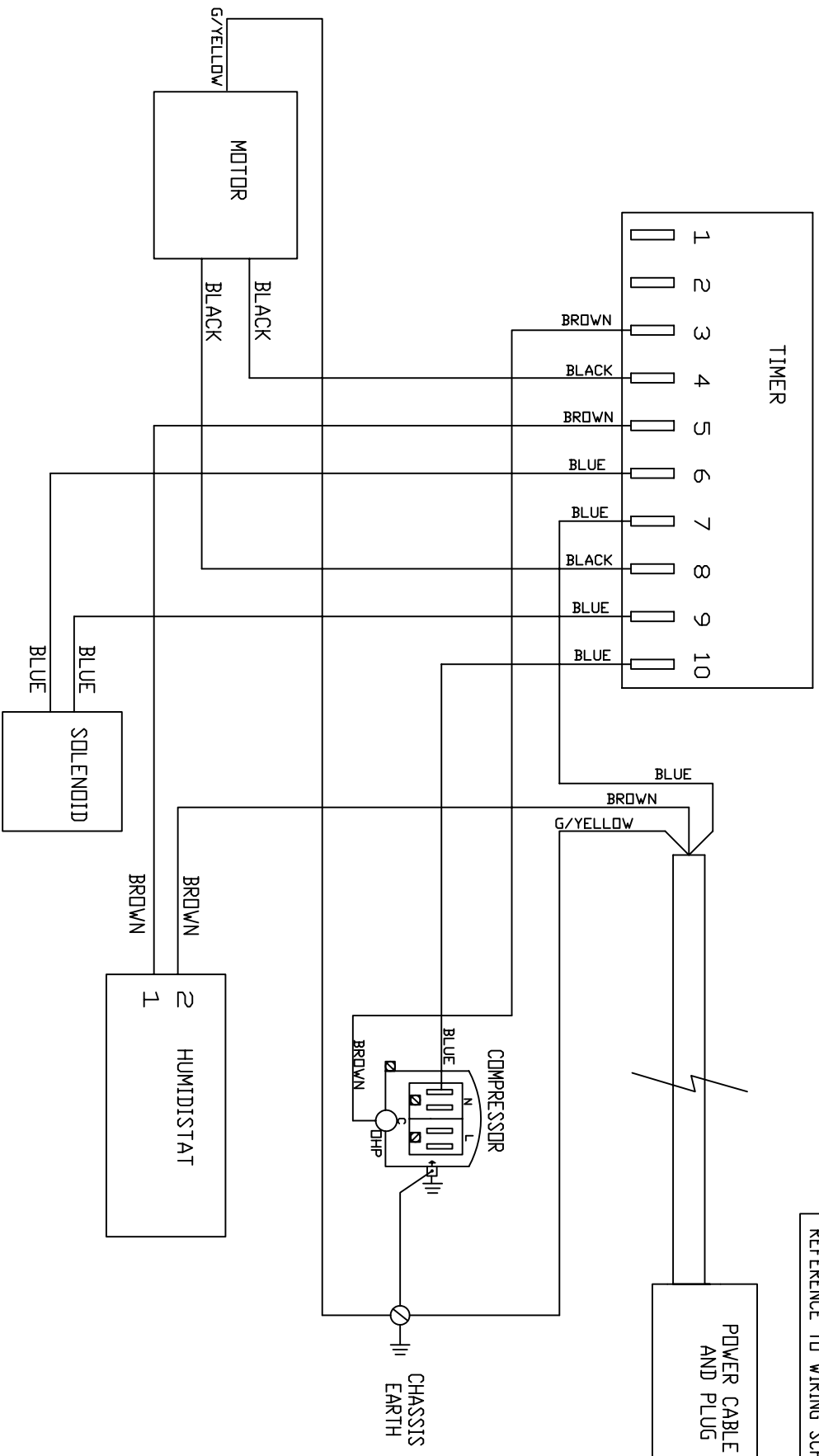


3RD ANGLE PROJECTION



DESCRIPTION	PART No.
REFERENCE TO GENERAL ASSEMBLY	1013700
REFERENCE TO GENERAL ASSEMBLY	1138100
REFERENCE TO GENERAL ASSEMBLY	1138600
REFERENCE TO WIRING SCHEMATIC	5020153



DRAWN BY: MASON	ISS.	8	9	10	11	12	TOLERANCE UNLESS STATED		TITLE	SECURITY CLASSIFICATION
CHECKED	DATE	18.9.89	21.9.89	24.08.93	18.10.93	07/04/05			Ekac Limited	5010116
APPROVED	C/N		GE	6223	DD	6514	JGL	WDA		
SCALE										
INSPECTION PROCEDURE	MATERIAL						DIMENSIONS IN m.m.		WIRING DIAGRAM FOR CD30	