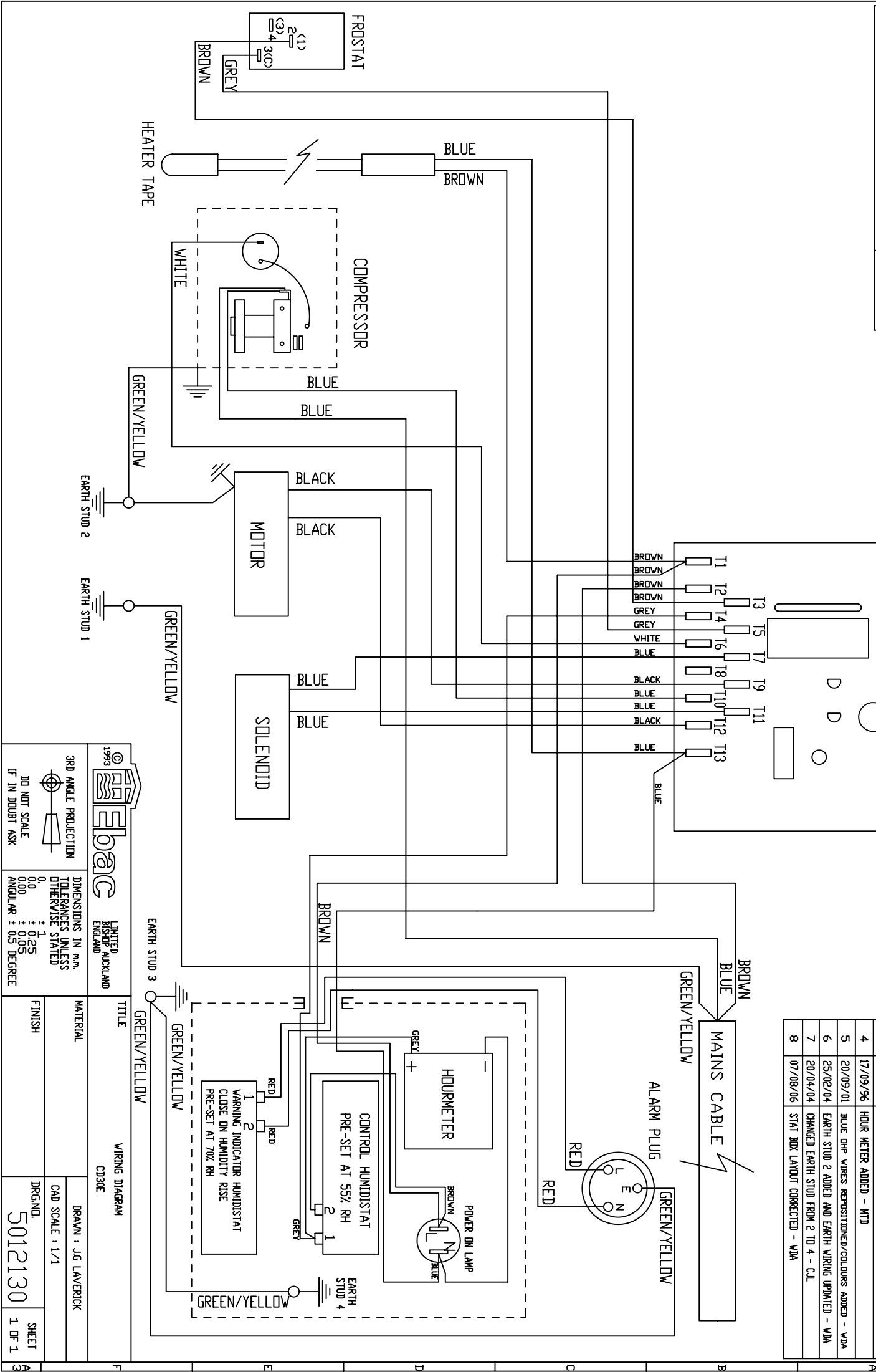


DESCRIPTION	PART NO.
REFERENCE TO GENERAL ASSEMBLY	1139500
REFERENCE TO WIRING SCHEMATIC	5020152



ISSUE	DATE	AMENDMENTS
1	12.10.93	ORIGINAL
2	12.02.96	CHANGED TIMER, ADD PLUG AND POWER LAMP - JGL
3	23.02.96	CHANGED TIMER, ADD FROSTAT - JGL
4	17/09/96	HOUR METER ADDED - MTD
5	20/09/01	BLUE DHP WIRES REPOSITIONED/COLORS ADDED - VDA
6	25/02/04	EARTH STUD 2 ADDED AND EARTH WIRING UPDATED - VDA
7	20/04/04	CHANGED EARTH STUD FROM 2 TO 4 - CL
8	07/08/06	STAT BOX LAYOUT CORRECTED - VIA

1993  
 LIMITED  
 BRISTOL AUCKLAND  
 ENGLAND

3RD ANGLE PROJECTION  
 DO NOT SCALE  
 IF IN DOUBT ASK

DIMENSIONS IN mm  
 TOLERANCES UNLESS  
 OTHERWISE STATED  
 0 ± 0.25  
 0.00 ± 0.05  
 ANGULAR ± 0.5 DEGREE

TITLE: WIRING DIAGRAM  
 MATERIAL: FINISH  
 DRAWN: JG LAVERICK  
 CAD SCALE: 1/1  
 DRC: 5012130  
 SHEET 1 OF 1